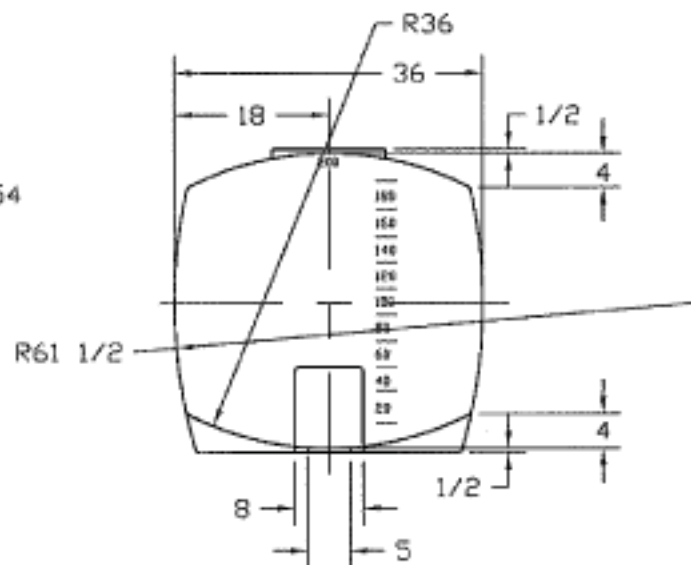
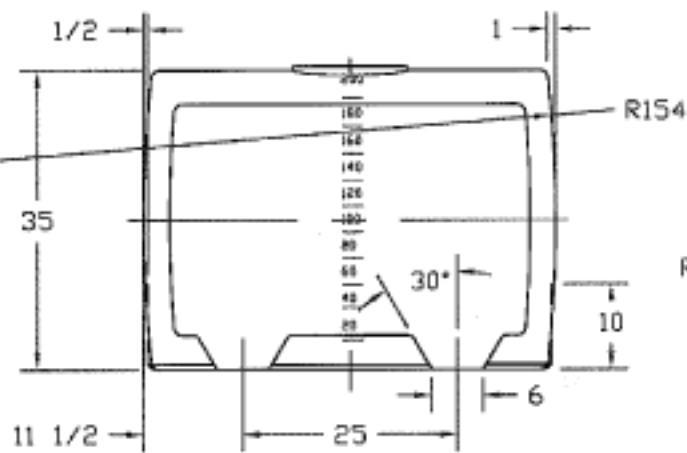
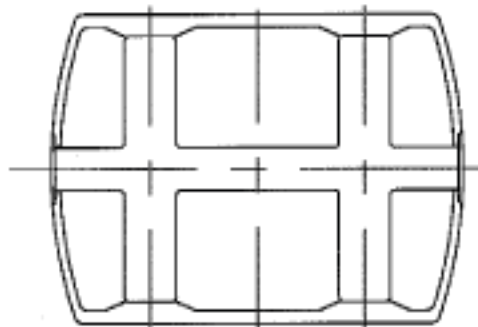


REVISIONS				
ZONE	REV	DESCRIPTION	DATE	APPROVED



34	31 3/4
30	28 7/16
26 13/16	25 1/4
23 11/16	22 3/16
20 5/8	19 1/8
17 5/8	16 1/16
14 9/16	13
11 1/2	9 15/16
8 3/8	6 3/4
5 3/16	3 7/16
0	



## 200 GALLON PCO TANK

JTP 05JUN97

SIZE  
B

PSCM NO.

DWG NO.

REV

SCALE 1/16

SHEET